



## 32cd Low-intensity Obstruction Light 115-230VAC - ICAO Type B - FAA L-810

CEL-LI-32-ACW-A - LED Aircraft Warning Light Stand-Alone Series

### Low-Intensity 10cd and 32cd Stand-alone Series

#### LED Aviation Obstruction Lights

CEL red low-intensity stand-alone series is designed for marking tall structures such as wind turbines, chimneys, masts, and towers. The warning light offers unique features such as fault monitoring, photocell and flasher incorporated in the light.

#### Key Features

- Based on LED-technology
- 10cd and 32cd red fixed and flashing light
- Incorporated photocell and fault monitoring
- Extremely low-power consumption
- More than 10yrs of maintenance free operating time
- 5 year warranty the longest in the industry
- 10 year warranty for the optics

#### Optical characteristics

- 10cd fixed or flashing
- 32cd fixed or flashing
- Colour aviation RED
- Horizontal beam 360°
- Vertical beam 0°...+10°

#### Specifications met

- ICAO International Standards and Recommended Practices:
- Aerodromes Annex 14 Volume 1,
- 5th Edition, July 2009, Chapter 6:
  - Low-intensity Type A
  - Low-intensity Type B
- FAA Advisory Circular
- AC 150/5345-43G: L-810

#### Electrical Characteristics

- ACW- models, wide AC voltage range:
  - Nominal 100...240VAC, Nominal 50 ... 60Hz
- DCW- models, wide DC voltage range:
  - Nominal 10...60VDC
- Overvoltage protection
- Constant power input by active PFC
- Day/Night switch (400/800/1600lux)
- Flash rates: 20/40/60fpm
- Power consumption 4-7W



**CEL-LI-32-ACW-A**  
Stand-Alone Series Light

T: +44 (0)20 8540 1034  
F: +44 (0)20 8543 3058  
E: info@contarnex.com

Contarnex Europe Limited  
252 Martin Way,  
Morden, Surrey SM4 4AW  
United Kingdom



# 32cd Low-intensity Obstruction Light

## 115-230VAC - ICAO Type B - FAA L-810

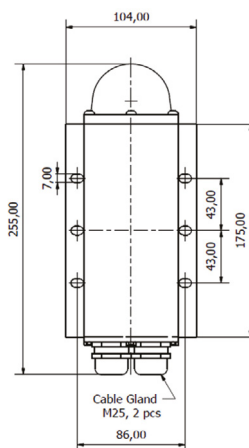
CEL-LI-32-ACW-A - LED Aircraft Warning Light Stand-Alone Series

### Mounting Set Options

- CEL-MS-HV80
- CEL-MS-EV60
- CEL-MS-EV100
- CEL-MS-EV150
- CEL-MS-DEV60
- CEL-MS-DEV100
- CEL-MS-RW
- CEL-MS-LVU
- CEL-MS-N1B

### Mechanical Characteristics

- Anodised, marine grade aluminium body and end parts
- AISI 316 acid-proof stainless steel screws
- Glass cover, degree of protection IP65
- Operating temperature range -55...+55°C
- Height 255mm, diameter 104mm
- Weight 1,3kg (without mounting set)
- Terminal block for 1.5 ...4mm<sup>2</sup> wires



Order code	ICAO / FAA	Output	Op. volt.	Power cons.	Fault monitoring	Built-in photocell	Packing dimensions
CEL-LI-10-DCW-A	Type A	10cd	10-60VDC	2,5 W	Yes	Yes	280x130x100, 1,5kg
CEL-LI-10-ACW-A	Type A	10cd	100-240VAC	7 VA	Yes	Yes	280x130x100, 1,5kg
CEL-LI-32-DCW-A	Type B / L-810	32cd	10-60VDC	3,7 W	Yes	Yes	280x130x100, 1,5kg
CEL-LI-32-ACW-A	Type B / L-810	32cd	100-240VAC	9 VA	Yes	Yes	280x130x100, 1,5kg

Mounting sets	
CEL-MS-HV80	Mounting set, basic model for 33 to 80 mm pipes
CEL-MS-EV60	Mounting set with extension plate for 30 to 60 mm pipes
CEL-MS-EV100	Mounting set with extension plate for 60 to 100 mm pipes
CEL-MS-EV150	Mounting set with extension plate for 100 to 150 mm pipes
CEL-MS-DEV60	Mounting set for double lights with extension plate for 30 to 60 mm pipes
CEL-MS-DEV100	Mounting set for double lights with extension plate for 60 to 100 mm pipes
CEL-MS-RW	Mounting set with extension plate for roof or wall mounting
CEL-MS-LVU	Mounting set with extension plate for L, V, and U-profiles, galvanized
CEL-MS-N1B	Mounting set with 1" NPT at bottom

# 32cd Low-intensity Obstruction Light

## 115-230VAC - ICAO Type B - FAA L-810

### CEL-LI-32-ACW-A - LED Aircraft Warning Light Stand-Alone Series

#### Electrical installation instructions

Stand-alone series has two cable glands for easy chaining without external distribution boxes. Connection can be protected with a 6A or 10A fuse or with a circuit breaker (C curve: C6A or C10A).

#### Photocell Configuration

Photocell mode (enabled/disabled) and threshold (400 lux, 800 lux or 1600 lux) can be selected by the user using DIP configuration switches.

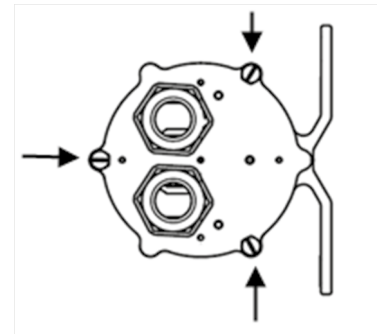
Open three screws on the bottom of CEL light to gain access to DIP switches. We recommend using a socket wrench but the screws can also be opened with a suitable flat-head screwdriver. Holding the aviation obstruction light glass dome pointing upwards, the individual DIP switches are numbered 1-4 from left to right.

#### Installation specifications

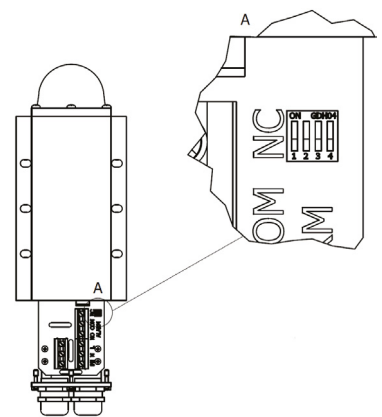
- Cable gland M25
- Cable diameter 11 to 17mm
- Wire diameter max. 6mm<sup>2</sup>
- Recommended cable
- 3x1.5mm<sup>2</sup> or 3x2.5mm<sup>2</sup>

#### Options

- CGS-20 Smaller cable glands
- Set includes 2 pcs M20 cable glands with M25-M20 adapters for 7-13mm cables



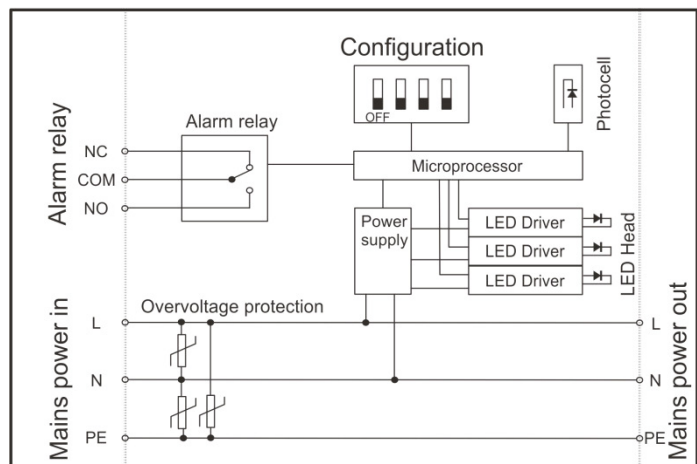
1. Bottom plate screws



2. Location of DIP switches

DIP Switch Settings-Photocell mode		
1	2	Operating mode
OFF	OFF	Photocell disabled
ON	OFF	400 lx
OFF	ON	800 lx
ON	ON	1600 lx

DIP Switch Settings-Flash mode		
3	4	Operating mode
OFF	OFF	Steady-burning i.e.fixed
ON	OFF	20 flashes per minute
OFF	ON	40 flashes per minute
ON	ON	60 flashes per minute



3. Block diagram of CEL LI stand-alone light.

Factory default setting is all switches in OFF (steady-burning mode without photocell control). Turn-off time in 3 min, turn-on time is 10 sec. When the photocell operation is enabled, the obstruction light turns on when the ambient light level has dropped below selected level for ten seconds. Light turns off when the ambient light level has exceeded the selected value for more than three minutes.

# 32cd Low-intensity Obstruction Light

## 115-230VAC - ICAO Type B - FAA L-810

### CEL-LI-32-ACW-A - LED Aircraft Warning Light Stand-Alone Series

#### CEL-MS-HV80

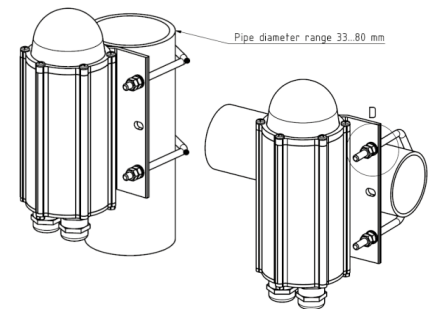
Mounting set for 33-80mm vertical or horizontal pipe.

This mounting set includes:

- 2 pcs M6 U-bolt
- 8 pcs M6 hex nut
- 4 pcs 6/12 mm washer

All parts are AISI 316 acid-proof stainless steel.

More detailed mechanical data: see CEL-MS-HV80 datasheet



Order Code CEL-MS-HV80

#### CEL-MS-EV60

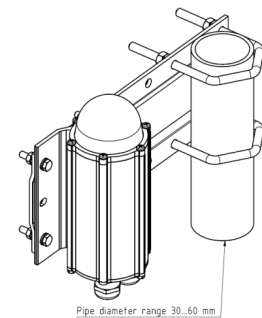
Mounting set with extension plate for 30-60mm vertical pipe installation.

This mounting set includes:

- 2 pcs M8 U-bolt, 8 pcs M8 hex nut
- 4 pcs M6x30 bolt, 8 pcs M6 hex nut, 4 pcs 6/12 washer
- 1 pcs extension plate

Extension plate marine grade anodized aluminium, other parts AISI 316 acid-proof stainless steel.

More detailed mechanical data: see CEL-MS-EV60 datasheet



Order Code: CEL-MS-EV60

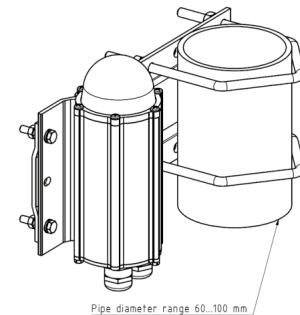
#### CEL-MS-EV100

Mounting set with extension plate for 60-100mm vertical pipe installation. This mounting set includes:

- 2 pcs M8 U-bolt, 8 pcs M8 hex nut
- 4 pcs M6x30 bolt, 8 pcs M6 hex nut, 4 pcs 6/12 washer
- 1 pcs extension plate

Extension plate marine grade anodized aluminium, other parts AISI 316 acid-proof stainless steel.

More detailed mechanical data: see CEL-MS-EV100 datasheet



Order Code: CEL-MS-EV100

#### CEL-MS-EV150

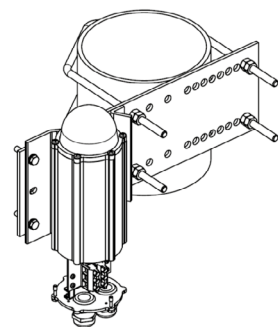
Mounting set with extension plate for 100-150mm vertical pipe installation.

This mounting set includes:

- 2 pcs M8 U-bolt, 8 pcs M8 hex nut
- 4 pcs M6x30 bolt, 8 pcs M6 hex nut, 4 pcs 6/12 washer
- 1 pcs extension plate

Extension plate hot dipped galvanised steel, other parts AISI 316 acid-proof stainless steel.

More detailed mechanical data: see CEL-MS-EV150 datasheet



Order Code: CEL-MS-EV150

# 32cd Low-intensity Obstruction Light

## 115-230VAC - ICAO Type B - FAA L-810

### CEL-LI-32-ACW-A - LED Aircraft Warning Light Stand-Alone Series

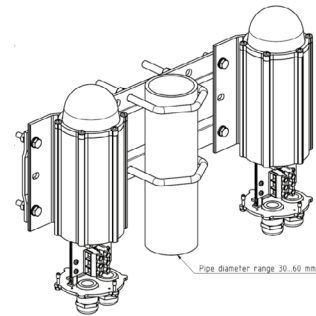
#### CEL-MS-DEV60

Double mounting set with extension plate for 30-60mm vertical pipe installation. Mounting set include:

- 2 pcs M8 U-bolt, 8 pcs M8 hex nut
- 8 pcs M6x30 bolt, 16 pcs M6 hex nut, 8 pcs 6/12 washer
- 1 pcs extension plate

Extension plate marine grade anodised aluminium, other parts AISI 316 acid-proof stainless steel.

More detailed mechanical data: see CEL-MS-DEV60 datasheet



Order Code: CEL-MS-DEV60

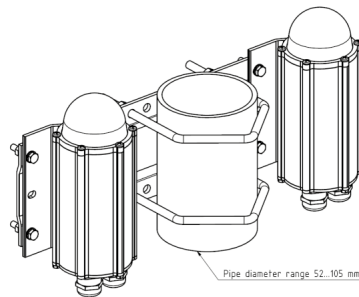
#### CEL-MS-DEV100

Double mounting set with extension plate for 60-100mm vertical pipe installation. Mounting set include:

- 2 pcs M8 U-bolt, 8 pcs M8 hex nut
- 8 pcs M6x30 bolt, 16 pcs M6 hex nut, 8 pcs 6/12 washer
- 1 pcs extension plate

Extension plate marine grade anodised aluminium, other parts AISI 316 acid-proof stainless steel.

More detailed mechanical data: see CEL-MS-DEV100 datasheet



Order Code: CEL-MS-DEV100

#### CEL-MS-RW

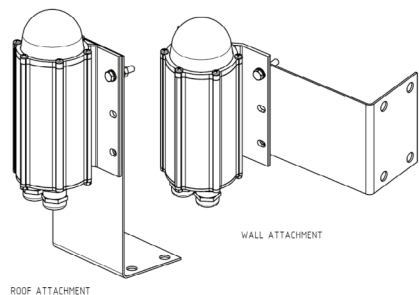
Mounting set for horizontal plate or wall installation.

Mounting set includes:

- 4 pcs M6x30 bolt, 8 pcs M6 hex nut, 4 pcs 6/12 washer
- 1 pcs L-shape 2mm plate

All parts AISI 316 acid-proof stainless steel.

More detailed mechanical data: see CEL-MS-RW datasheet



Order Code: CEL-MS-RW

# 32cd Low-intensity Obstruction Light

## 115-230VAC - ICAO Type B - FAA L-810

CEL-LI-32-ACW-A - LED Aircraft Warning Light Stand-Alone Series

### CEL-MS-LVU

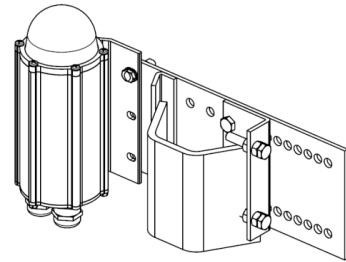
Mounting set for L and V-shape profiles

Mounting set includes:

- 1 set accessories for light unit fitting to plate
- 1 pcs extension plate with adjusting plate and accessories

Extension plate hot dip galvanized steel, other parts AISI 316 acid-proof stainless steel.

More detailed mechanical data: see CEL-MS-LVU datasheet



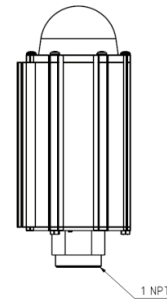
**Order Code: CEL-MS-LVU**  
(with galvanized extension plate)

**Order Code: CEL-MS-LVA**  
(with AISI 316 extension plate)

### CEL-MS-N1B :

Mounting set for 1" NPT at bottom

More detailed mechanical dimensions: see CEL-MS-N1B data-sheet.



**Order Code: CEL-MS-N1B**